



LEG SIMULATOR



TOUCH SCREEN WITH NEW OPERATOR GUIDANCE & CARD-READER



NORM SOLE



SIGNATURES PAD COLOUR



SPECIAL FIXATION FOR TOURING BINDINGS



MANUAL CLOSING SYSTEM



JETBOND MT OPTIONAL BASE FRAME



JETBOND MT STANDARD VERSION

JETBOND MT

Especially for clients who do not require a fully automatic operation. Now even faster with new, intuitive operator guidance.

With the semi-automated measurement and the unique leg simulator, the same precision is achieved as in the fully automatic JETBOND ST / SK.

FAST

All required data of the binding adjustment and checking are available in less than 2 minutes.

EASY

The handling of JETBOND is very easy and without any effort. The leg simulator is fixed to the device and only needs to be inserted into the boot.

PRECISE

JETBOND is simulating the real stress in a very realistic way. Thanks to a real torque measuring around the front binding, the test results are highly accurate.

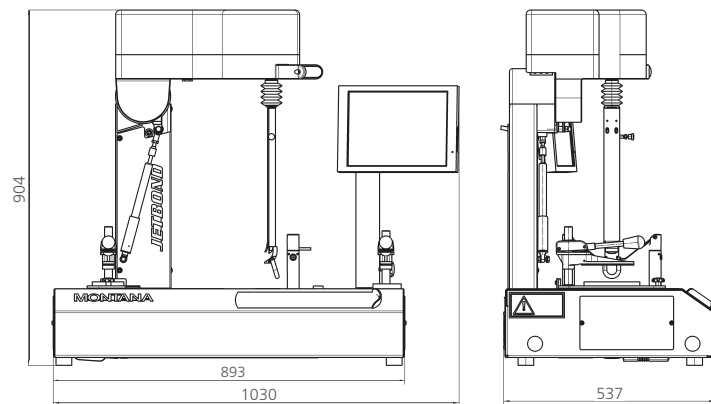
ADVANTAGES

- Fast and problem free spanning of all different kinds of binding and skis
- The leg simulator imitates the free torque perfectly and allows a very accurate and close to reality check
- The bringing in of the leg simulator via the swivelling arm is fast and easy
- No height adjustment needed
- Client data can be issued as pdf files
- Electronic saving of measurements and customer data to external devices possible

OPTION

- Table with wheels and card deposit
- Scanner
- Scanner holder
- Norm sole for a fast pre-season check
- Interfaces with rental software
- Interfaces with Jetbase data base
- Can be ordered with Laptop or Touch-PC
- Special fixation and software module for touring bindings
- Signatures pad (optionally with holder)

DIMENSIONS MT



JETBOND TYP MT

TECHNICAL DATA	JETBOND MT
Voltage:	230 volt / 50/60 Hz or 115 volt / 50/60 Hz
Rated power:	400 watt
Fuses:	4 A
DIMENSIONS	
Length:	1.030 mm
Width:	537 mm
Height:	904 mm
Total weight:	100 kg
Weight table:	47 kg