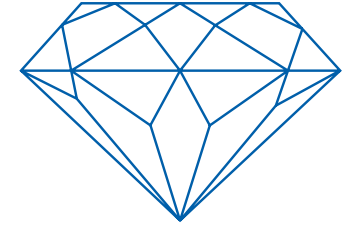


2

3

4

MONTANA[®]
CRYSTAL GLIDE FINISH



CRYSTAL ONE WITH GRIPTECH



MONTANA

 12/h

CRYSTAL ONE

THE ECONOMICAL STEP FROM MANUAL SERVICE TO AUTOMATION

The new CRYSTAL ONE robot has been specially designed for workshops that have always worked with manual machines.

Stone grinding is performed on a 160 mm or 180 mm wide stone with 4-fold VARIO structures. The side edges are ground with ceramic belts running over gliding blocks.

The subsequent HTT tuning guarantees best and consistent MONTANA CRYSTAL GLIDE FINISH quality.

With this step into automation, service is performed on a combined stone grinding and tuning unit that is extremely space-saving, requires minimum man-hours, and is safe and highly economical.

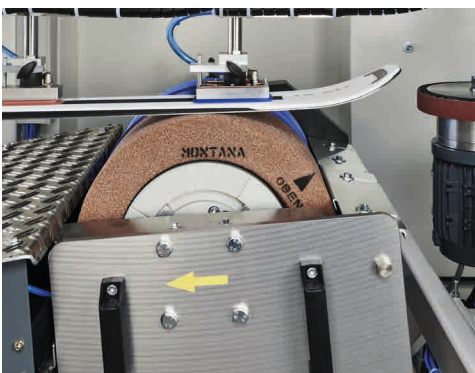
The compact length of the CRYSTAL ONE makes it fit into the smallest of workshops.

ADVANTAGES

- PowerVac system for suction of all ski surfaces
- Automatic stone grinding for 1 ski with pressure curve
- 4-fold VARIO structures
- Double-sided edge grinding with pressure curve
- Two-sided High Tech Tuning (HTT) of edges
- Radial tuning via template
- Compact length
- Ready for „Montana Digital World“

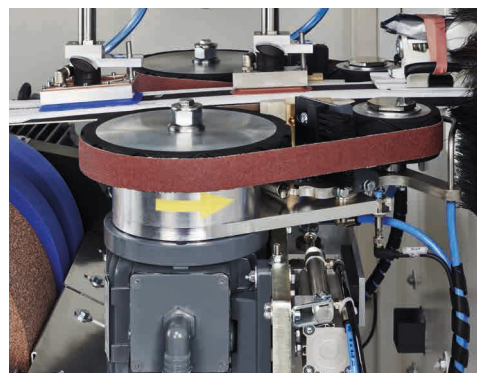
OPTION

- GRIPtech system
- VARIO structures with 8 segments
- Compressor with refrigeration dryer
- Oil mist suction system
- Gravitational filter system
- Automatic cooler



BASE GRINDING

- Grinding of all ski models, snowblades and cross-country skis with all bindings
- Computer-controlled grinding programs with direct online access for individually adapting the most important parameters to each ski
- Electronically controlled pressure curve for precisely defined grinding pressure over the grinding point
- Reproducible grinding results thanks to fully automated rpm adjustment to the diameter of the grinding disc
- 4-fold VARIO structures

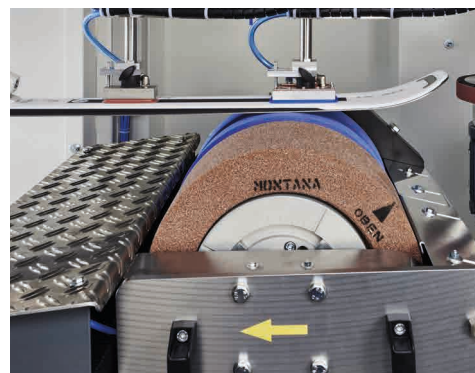


SIDE EDGE GRINDING

- Side edge unit with fully ceramic gliding blocks for skis
- Easiest adjustment of edge angle 87°– 89°
- Programmable closing position of the units
- Electronically controlled pressure curves for precisely defined grinding pressure at the grinding point
- Option: GRIPtech System.

Detailed description page 10

GRIP[®]
tech.



RADIAL TUNING

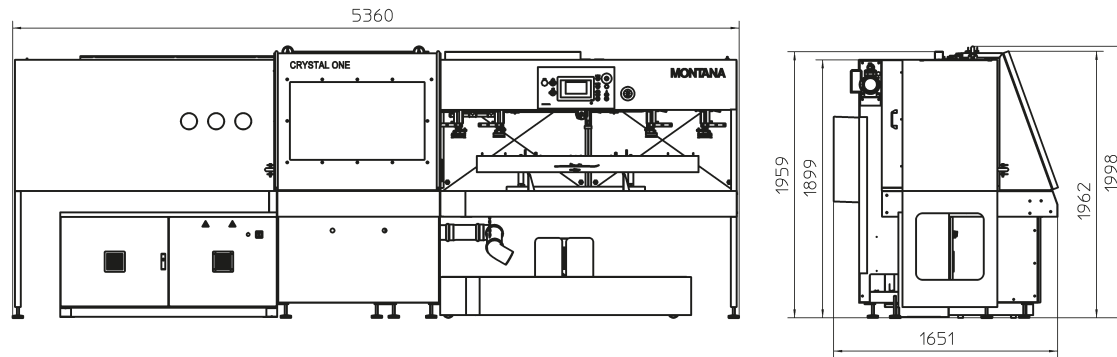
- HTT tuning ensures a finely polished edge with a minimal tuning angle for best gliding and turning capabilities for skis and snowboards
- Electronically controlled cutting speed
- Electronically controlled pressure and force curves for precisely defined grinding pressure over the grinding point



MANUAL LOADING

- 10" colour touch screen display
- Automatic centring
- PowerVac suction system for every ski surface

DIMENSIONS CRYSTAL ONE



TECHNICAL DATA	CRYSTAL ONE
Product variations:	manual loading
Rated power:	max. 7 kW
Fuses:	3 x 400 volt / 50/60 Hz, special voltage via trafo
Voltage:	3 x 16 A
Coolant tank volume:	250 liters
Stone width:	160 or 180 mm
Stone speed:	300 to 1.900 u/min
Cutting speed:	6 to 32 m/s
Feed:	5 to 30 m/min
Compressed air:	min. 6 bar, 600 l/min
Total weight:	1.950 kg without coolant mixture

