

MONTANA[®]

FLUID WAXER 4



LevelUpYourSkiService

FLUID WAXER 4

THE HOT WAX MACHINE FOR PROFESSIONALS

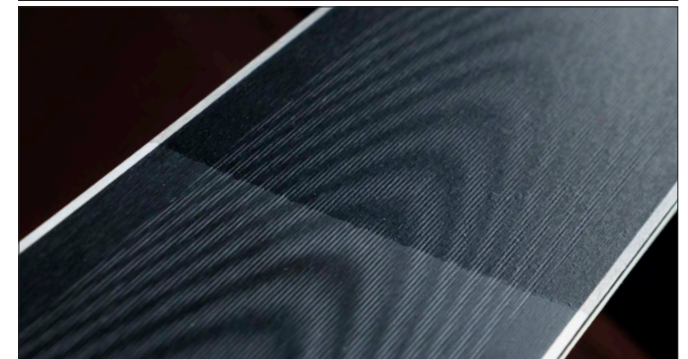
HOT WAX MACHINE FOR SKIS, SNOWBOARDS & CROSS-COUNTRY SKIING



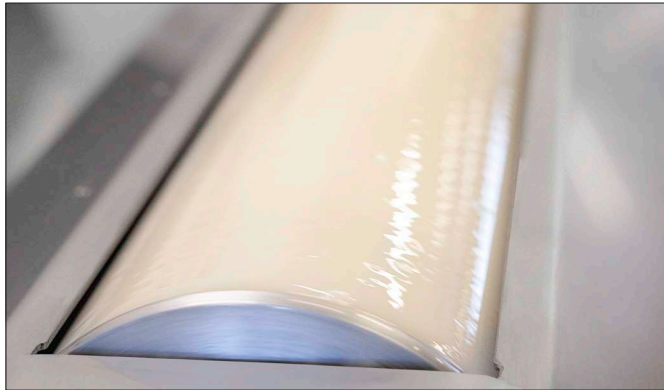
The ideal solution for liquid and hot waxing of cross-country and alpine skis as well as snowboards

The wax is applied via a permanently rotating wax roller, where the wax film thickness can be adjusted to ensure minimum wax consumption. The wax basin is easily exchangeable, allowing the use of different waxes. Thanks to the short heat-up time, the FLUID WAXER 4 is quickly ready for use.

With the optional mobile base frame, it can be used flexibly and offers space for wax and accessories. A compact (portable) and space-saving solution for energy-efficient hot waxing.

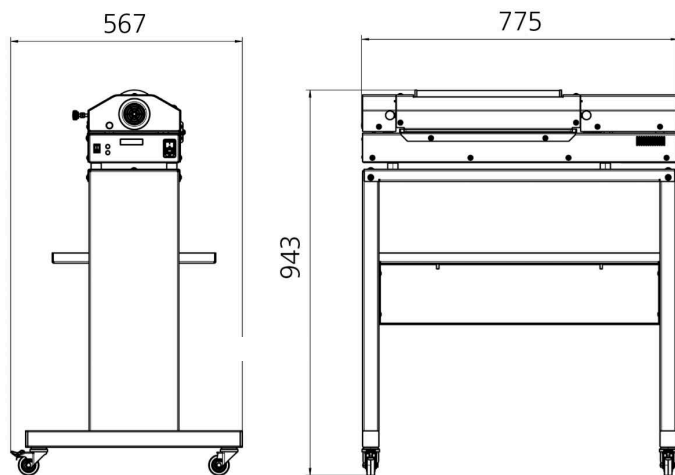


BENEFITS



- Portable version
- Motorized wax application roller
- Simple temperature setting
- Adjustable wax film thickness
- Quickly and easily exchangeable wax basin
- Simple operation
- Top processing quality
- Excellent waxing result
- Compact and robust design

TECHNICAL DATA



Power	825 W
Voltage:	1x 220 Volt 50/60 Hz
Roller width	360 mm
Roller diameter	120 mm
Weight of Fluid Waxer 4	26 kg

MONTANA

THE WORLD OF EXCELLENCE

ski & board service machines | rental systems | skins

MONTANA SPORT INTERNATIONAL AG

Mühlebachstrasse 3 · CH-6370 Stans, Switzerland

Tel +41 (0)41 619 16 62

info@montana-international.com · montana-international.com

MONTANA ITALIA S.R.L.

via Goethe, 7 · IT-39012 Merano (BZ), Italy

info@montana-italia.it · montana-italia.it

MONTANA SPORT NORTH AMERICA INC.

8 Federal Way · Groveland, MA 01834 - USA

Tel +1 978 420 1700 · Fax +1 978 420 1701

sthirkell@montanasportna.com · montana-international.com



[linkedin.com/company/montanaworldofexcellence](https://www.linkedin.com/company/montanaworldofexcellence)



[facebook.com/montanasportinternational](https://www.facebook.com/montanasportinternational)



[youtube.com/skiservicemontana](https://www.youtube.com/skiservicemontana)



[instagram.com/montanasportinternational](https://www.instagram.com/montanasportinternational)