

MONTANA

THE WORLD OF EXCELLENCE

ski & board service machines | rental systems | skins

VOLVR

THE NEW MONTANA LOADING SYSTEM



SCAN ME

REVOLUTIONISING AUTOMATION

THE MONTANA LOADING SYSTEM

VOLVR
the innovative loading system



MONTANA is setting a new standard with VOLVR, the automated loading system for your MONTANA ski service robot. Its capacity is the stuff of miracles: it can hold an incredible 20 pairs of skis! This hard-wearing system

is compatible with skis measuring 100 cm - 200 cm and with all common alpine and pin bindings. Whether you serve tall or short skiers, amateurs or professionals, VOLVR can support you. VOLVR is dynamic – for example, while you are loading one ski rack at the

service reception, another ski rack is already live on your MONTANA machine. Loading and unloading can be carried out using either one or two ski racks on the machine – whatever works best for you.

INNOVATIVE, EFFICIENT & REVOLUTIONARY

THE FUTURE OF AUTOMATION



ADVANTAGES

- Holds an incredible 20 pairs of skis
- Compatible with skis measuring 100 cm - 200 cm
- Can be used with skis with alpine and pin bindings
- Versatile and dynamic upgradeable system
- Movable and interchangeable
- Speeds up working processes for greater efficiency



REVOLUTION

IN AUTOMATED SKI SERVICE

MONTANA is setting a new standard with VOLVR, the automated loading system for your MONTANA ski service robot.

The capacity of **VOLVR** IS THE STUFF OF MIRACLES: it can hold an incredible 20 pairs of skis!



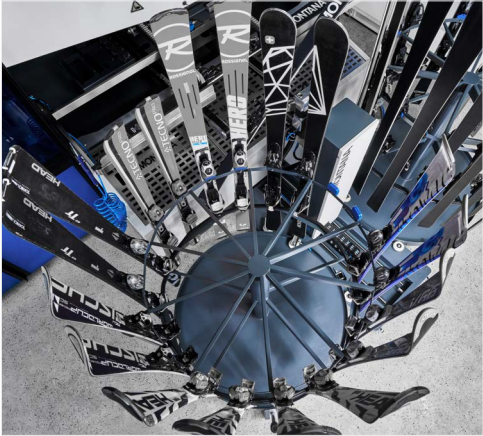
ADVANTAGES

- **Future-friendly:** Compatible with current and new generations of machines
- Hard-wearing system for many years of use
- Individual options for loading and unloading
- Not only saves time and money, but increases efficiency too
- Effective, versatile and cost-efficient
- Modular loading system

INNOVATIVE, EFFICIENT & REVOLUTIONARY

THE FUTURE OF AUTOMATION

VOLVR
the innovative loading system



With VOLVR, you are always in control: you can intervene in the process at any time and adapt it flexibly according to your needs. An affordable price tag makes this

integrated system a cost-effective, attractive option.

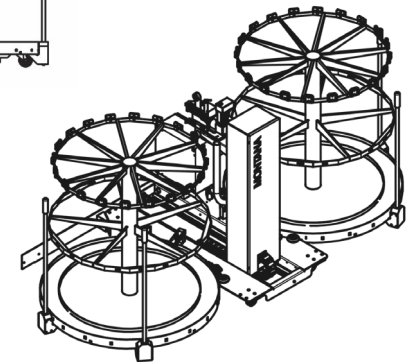
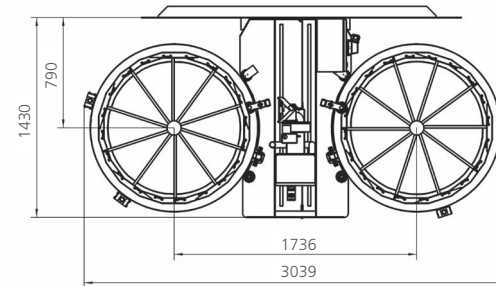
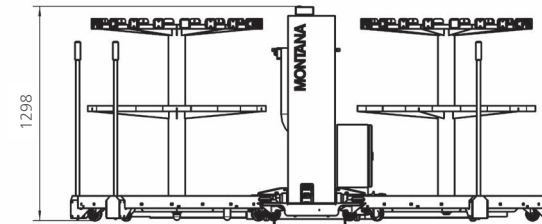
And the best thing: While VOLVR toils away, you can take some of the burden off your staff, giving them the chance to concentrate

on other tasks. Thanks to VOLVR, you not only save time and money, but you increase efficiency too.

VOLVR - A MODULAR, FUTURE-FRIENDLY LOADING SYSTEM

WELCOME TO THE FUTURE

A MODULAR, FUTURE-FRIENDLY LOADING SYSTEM



But that isn't all. VOLVR is not only effective, versatile and cost-efficient: it's future-friendly too. Our system is compatible with all existing ski service machines in the CRYSTAL MAGIC

series from 2018 onwards and, of course, with forthcoming generations of this MONTANA range.
So what are you waiting for?

Choose VOLVR and experience the ultimate ski service of the future.
#LevelUpYourSkiService

VOLVER

the innovative loading system



OVER 80 YEARS OF EXPERIENCE IN SKI SERVICE

ESTABLISHED IN 1939 AND A GLOBAL MARKET LEADER IN SKI SERVICE TODAY



Keiser Kaspar
Deputy CEO, Head of Technology

The foundations for the new VOLVR loading system were laid through close collaboration between specialists and the MONTANA Engineering Team. Right from the very first stage, there were many different ideas and creative approaches that the Engineering Team evaluated, before making their decisions. The unique and innovative loading system that is VOLVR is the product of many years of experience in ski service.

This dynamic system is not only effective and versatile, but future-friendly too. VOLVR is compatible with all existing

MONTANA ski service machines in the Crystal Magic series from 2018 and, of course, with forthcoming generations of this MONTANA range. The capacity of the modular VOLVR system is the stuff of miracles: it can hold an incredible 20 pairs of skis. It is currently compatible with skis measuring 100 - 200 cm in length, and with alpine and pin bindings. The dynamic system has two separate wheeled racks accommodating 10 pairs of skis each, which makes it possible, for example, to load one ski rack at the service reception while the other is already live on the MONTANA machine. Loading and unloading can take place with one or two ski racks on the machine. You can intervene in the process at any time and adapt it flexibly, according to your needs.

The integrated system speeds up working processes, making it a cost-effective option. Depending on the amount of grinding and the size of your workshop, VOLVR can be used specifically for loading or unloading. The development and implementation of VOLVR represents a step forward technologically and sets a new standard in the automation of ski service.

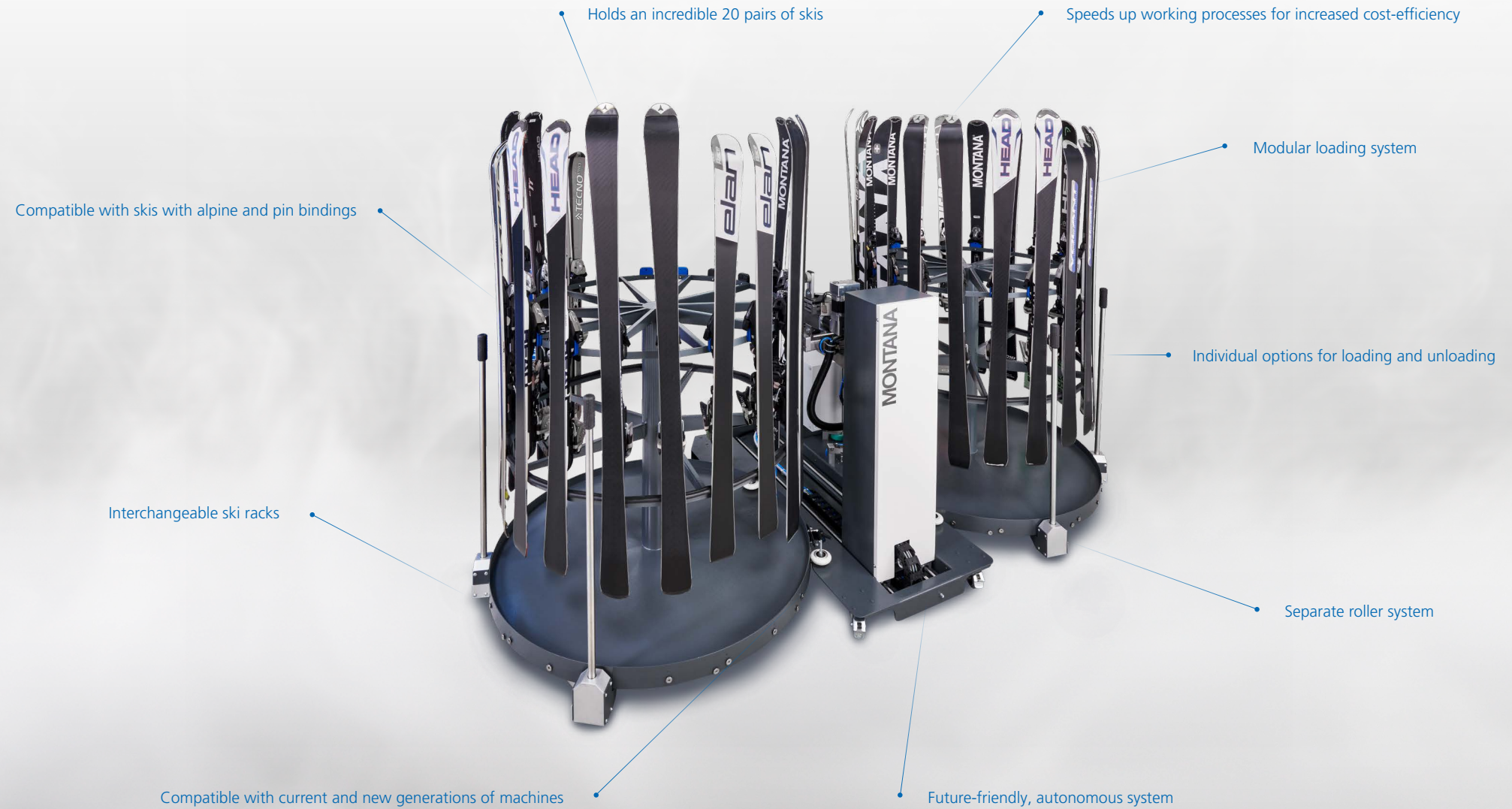
MONTANA's loading system is a step towards the ultimate ski service.



VOLVR LOADING SYSTEM

AUTOMATING SKI SERVICE

VOLVR
the innovative loading system

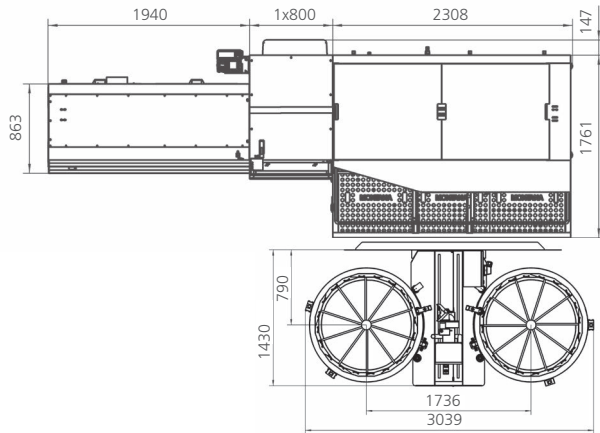


VARIOUS OPTIONS FOR LOADING AND UNLOADING

THE MODULAR, UPGRADEABLE SYSTEM OF THE FUTURE

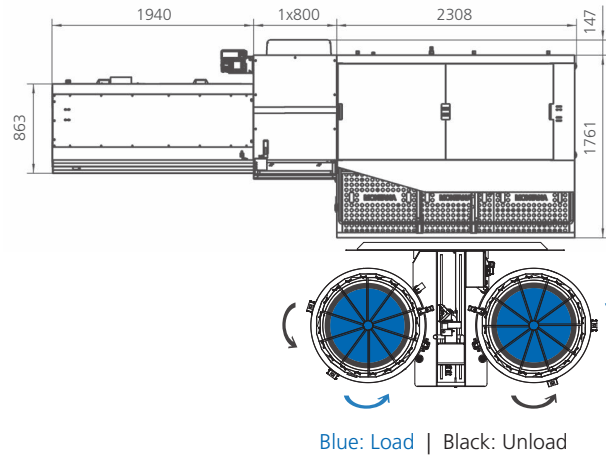
VOLVR loading system

Dimensions



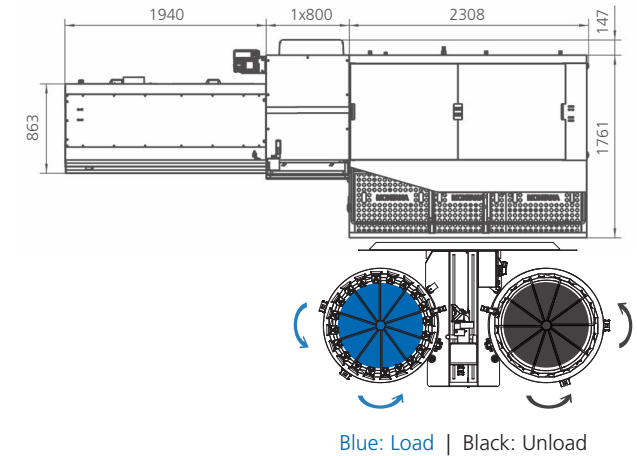
2 ski racks

Separate loading and unloading



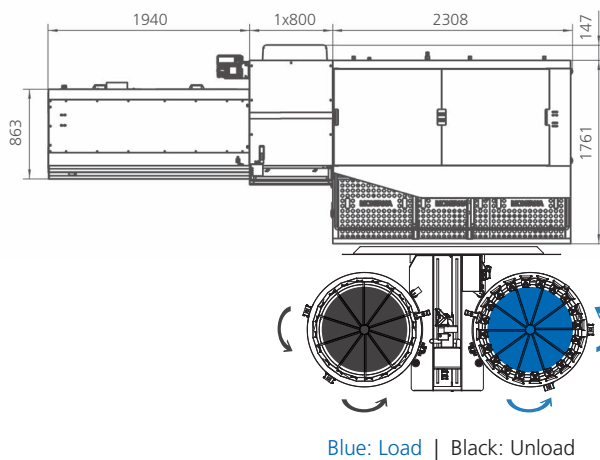
2 ski racks

Load left and unload right



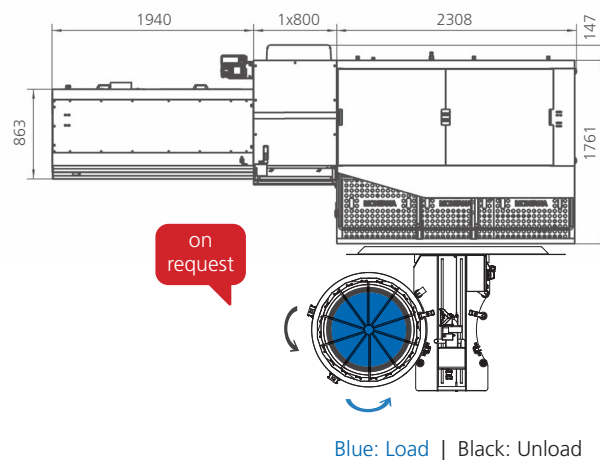
2 ski racks

Load right and unload left



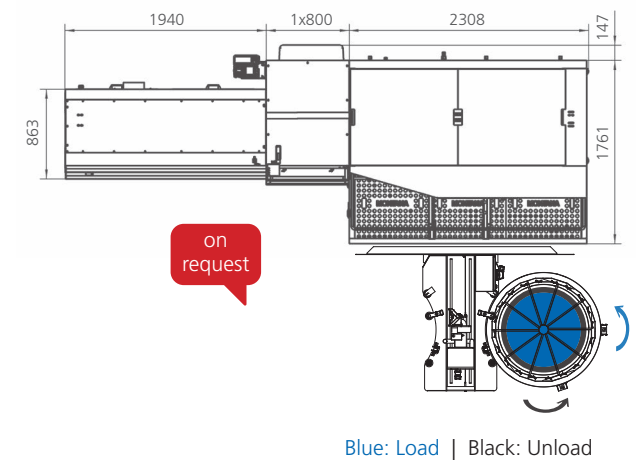
1 ski rack

Load left and unload left



1 ski rack

Load right and unload right





MONTANA

MONTANA

RACE TEAM
MONTANA

MONTANA

MONTANA

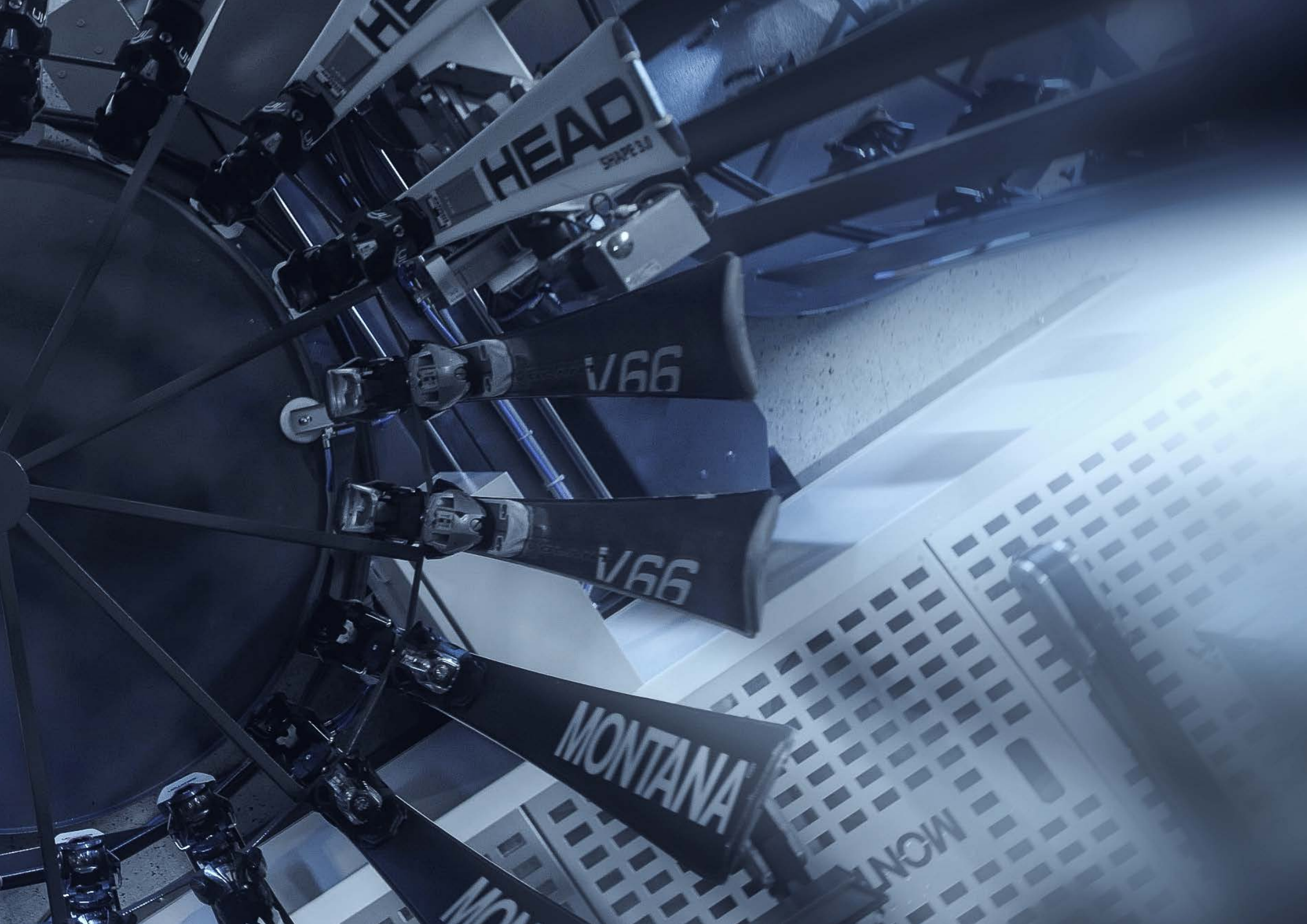
MONTANA

MONTANA

MONTANA

MONTANA

MONTANA



HEAD
SPAPE M

V66

V66

MONTANA

MONTANA

MONTANA®

THE WORLD OF EXCELLENCE

ski & board service machines | rental systems | skins

MONTANA SPORT INTERNATIONAL AG

Mühlebachstrasse 3 · CH-6370 Stans

Phone +41 (0)41 619 16 62

info@montana-international.com · montana-international.com

MONTANA ITALIA S.R.L.

via Goethe, 7 · IT-39012 Merano (BZ)

info@montana-italia.it · montana-italia.it

MONTANA SPORT NORTH AMERICA INC.

8 Federal Way · US-Groveland, MA 01834-1564

Phone +1 978 420 1700 · Fax +1 978 420 1701

sthirkell@montanasportna.com · montanasportna.com



facebook.com/montanasportinternational



youtube.com/skiservicemontana



instagram.com/montanasportinternational